

COMAC PORTABLE DRYER FEATURES INCLUDE:

- Corrosion Free Molded Fiberglass Body
- Marine grade stainless hardware
- Four stainless air knives
- EPDM feed rollers resist chemicals, temperature and tearing
- 2" to 24" wide panels. No length restrictions
- Variable speed controlled conveyor
- Four high pressure bypass blowers supply 360CU FPM of air, compression heated to 45° above outside temperature
- 110V 33 Amp or 220V 1Ø 19 Amp 50/60 HZ
- Reversible feed conveyor
- 90 day warranty

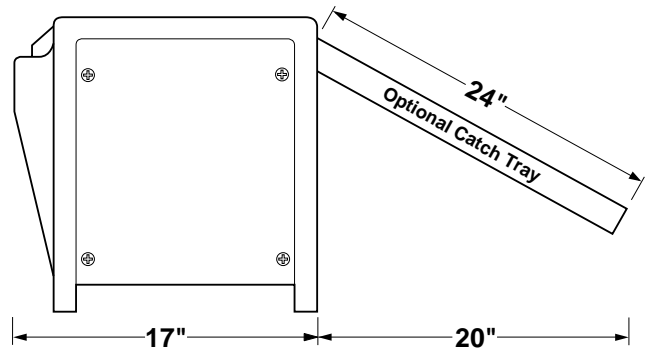
COMAC PORTABLE DRYER HAS THE FOLLOWING OPTIONS:

- Catch tray
- 26" Thru 32" wide conveyors
- Flex modifications for material down to .001" Thick
- Resettable board counter
- Infeed or outfeed conveyor

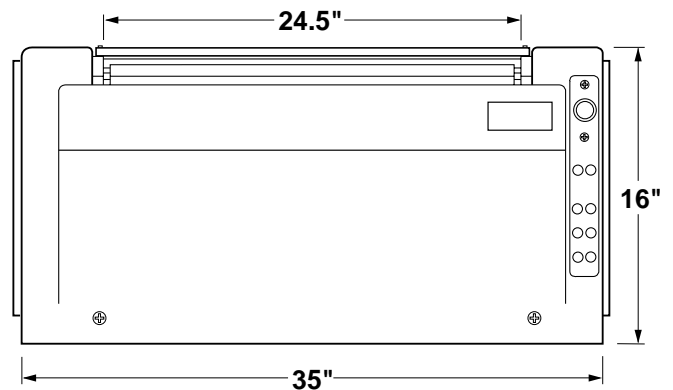
DISTRIBUTED BY:



MECHANICAL SPECIFICATIONS



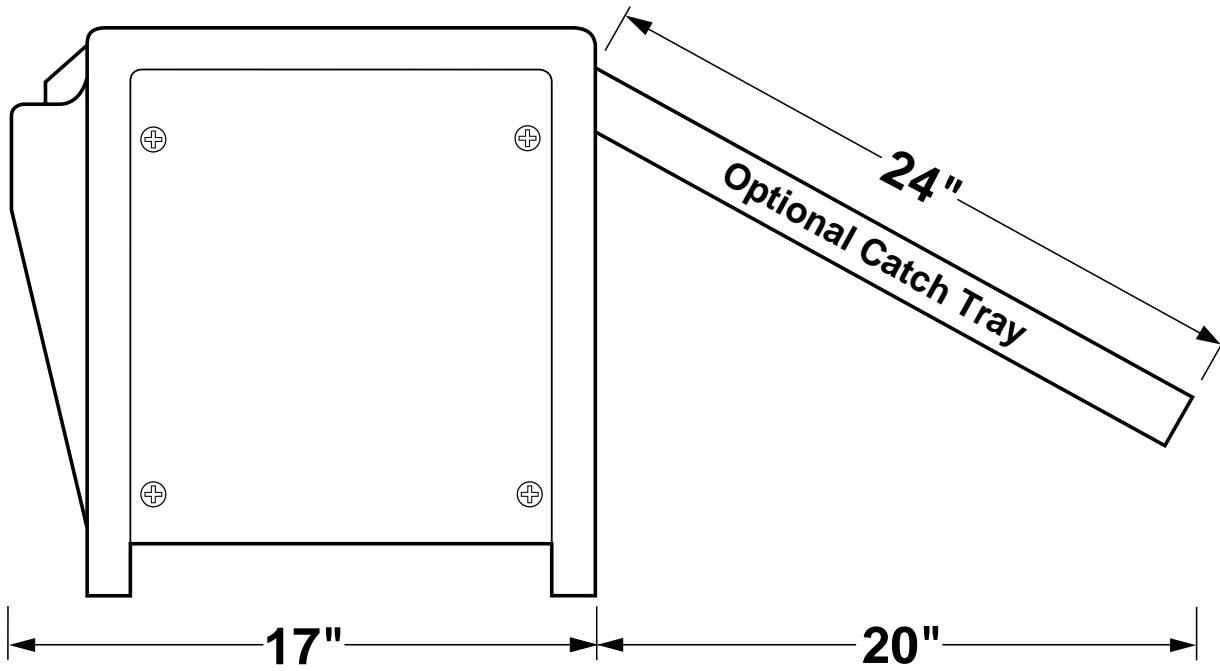
SIDE VIEW



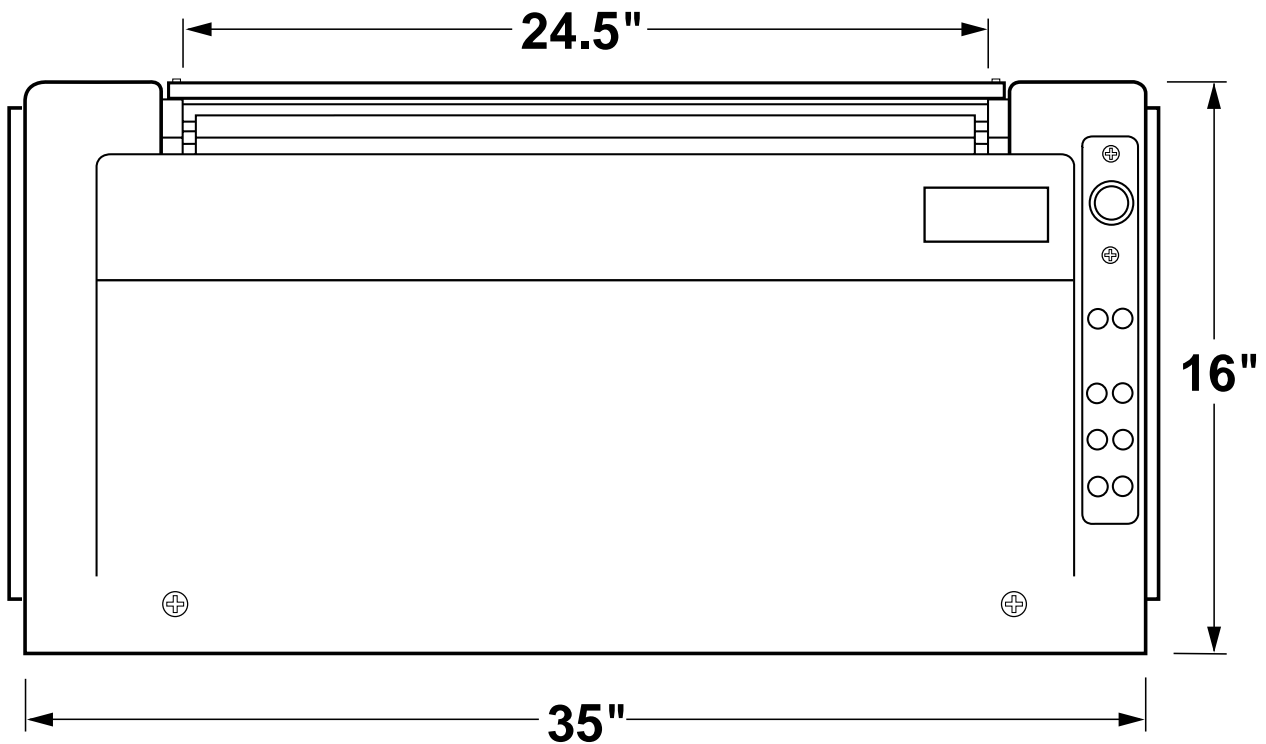
FRONT VIEW

Comac engineering designs feature a complete line of PCB cleaning and drying equipment.:

- **TIP SCRUBBER**
- **TURBINE PORTABLE DRYER**
- **FLOOR MODEL DRYER**
- **FLOOR MODEL RINSER/DRYER**
- **PORTABLE RINSER/DRYER**
- **PORTABLE SCRINSER**
- **POST CLEAN SYSTEMS**



SIDE VIEW



FRONT VIEW

Portable Dryer

