

Turbine Portable Dryer

This **Comac Turbine Portable Dryer** offers the same simplicity of design, ease of operations and maintenance as the regular portable dryer, but we have added three brushless turbine blowers and the same 90V DC drive motor we use in our floor model machines. This machine will run 24 hours a day if necessary and last as long as any floor model. We are so sure of this that we have doubled the warranty from 90 days to 180 days. The sound level is extremely low for a dryer.

The machine can be used by one unskilled operator or through variable speed control, with other conveyORIZED operations. Repairs are normally completed in under an hour and Comac maintains a stock of parts for immediate shipment if necessary.

COMPACT RELIABLE QUIET DESIGN

The Comac Dryer has been designed for long term use in all drying applications for material from 2" to 24" wide. The unit is quiet and efficient for shops of all sizes. Your Comac Dryer will conveniently fit in line with existing equipment or it may stand alone in any area requiring drying. Options include a flex conveyor for fragile material down to .001 thick, additional brushless turbine blowers for improved drying on rigid boards and a 1.2 KW air heater.



COMAC TURBINE PORTABLE DRYER FEATURES INCLUDE:

- Hard duty construction
- Corrosion free molded fiberglass body
- Marine grade stainless hardware
- Four stainless air knives
- EPDM feed rollers resist chemicals, temperature and tearing
- Heavy duty 90V DC drive motor and variable speed control
- Reversible drive conveyor
- 300 CU/FPM air volume with compression heating 15° above ambient temperature
- 110V 15 Amp or 220V 30 Amp 50/60 HZ
- 180 day warranty

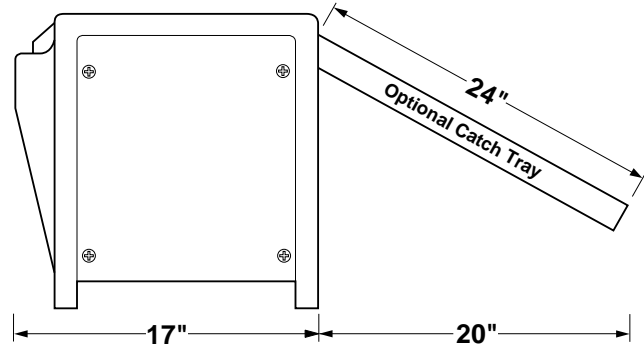
COMAC TURBINE PORTABLE DRYER HAS THE FOLLOWING OPTIONS:

- Catch tray
- Flex modification for material down to .001" thick
- Resettable board counter
- Infeed or outfeed conveyor up to 12"
- Addition blower motors for increased drying
- 1.2 KW heater

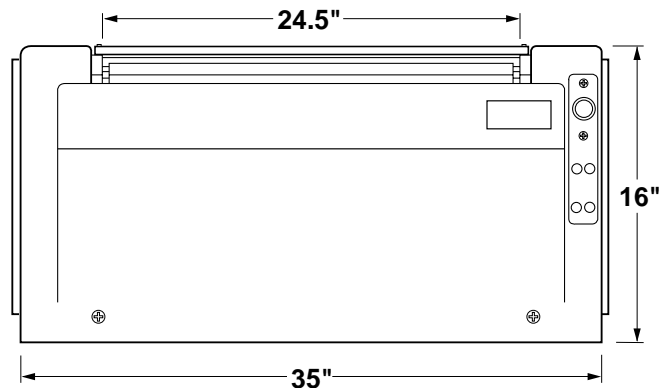
DISTRIBUTED BY:



MECHANICAL SPECIFICATIONS



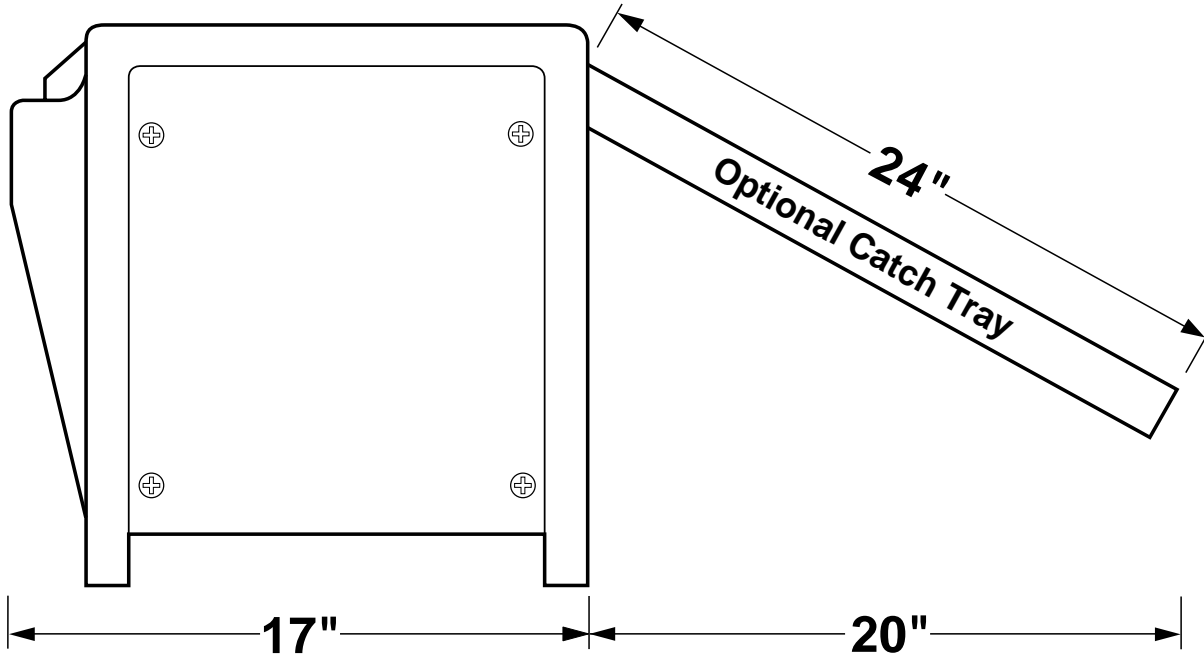
SIDE VIEW



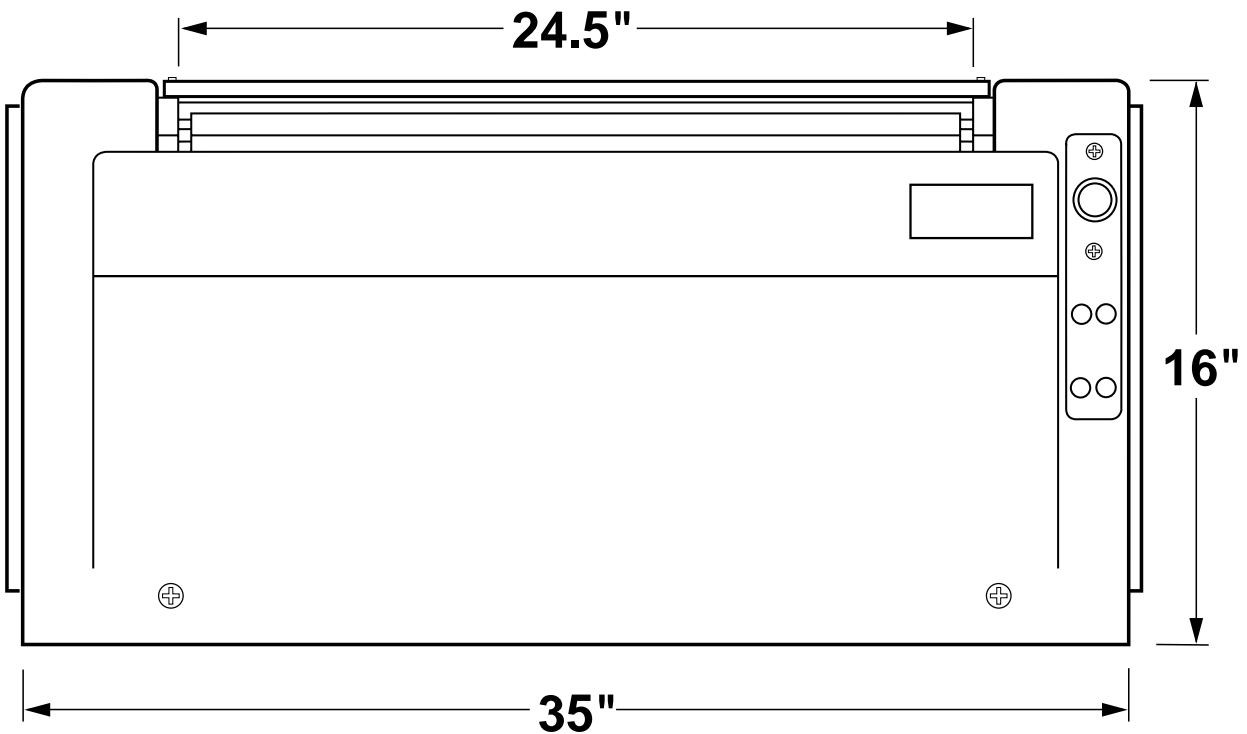
FRONT VIEW

Comac engineering designs feature a complete line of PCB cleaning and drying equipment.:

- **TIP SCRUBBER**
- **PORTABLE DRYER**
- **FLOOR MODEL DRYER**
- **FLOOR MODEL RINSER/DRYER**
- **PORTABLE RINSER/DRYER**
- **PORTABLE SCRINSER**
- **POST CLEAN SYSTEMS**



SIDE VIEW



FRONT VIEW

Portable Turbine Dryer

